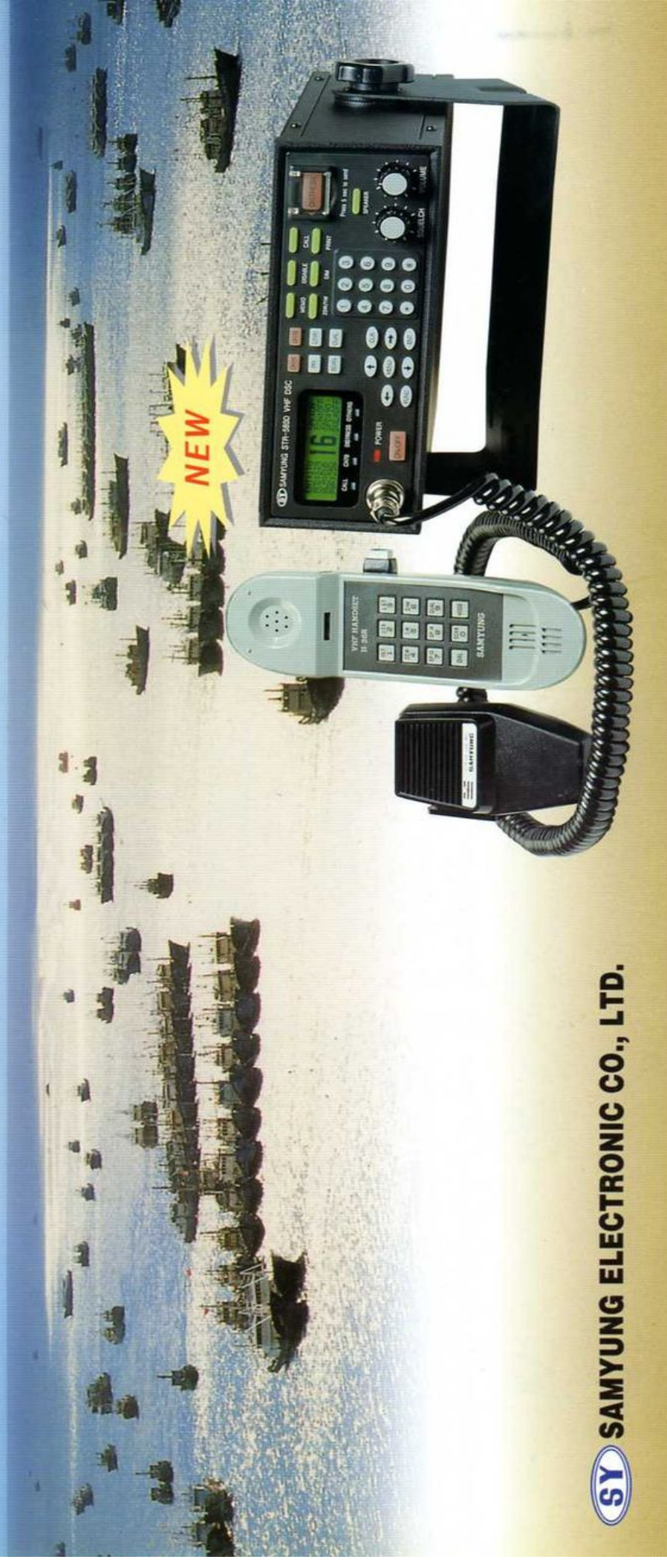


# MARINE DSC / VHF RADIO TELEPHONE STR-580D



**NEW**



STR-580D DSC/VHF radio telephone, which is designed to compact and light weight and built in DSC(Digital Selective Calling) on the basis of accumulated know-how and skill following STG-150 DSC/VHF as high performance and quality. It is easy to install new multi-functional product.

**FEATURES**

- ▶ Compliant with ITU-R and GMDSS performance standard of IMO
- ▶ Built-in DSC/CH70 W/K receiver
- ▶ Compact and light ensuring ease of installation
- ▶ Full ITU channels and Russian channels
- ▶ DUAL WATCH and scanning for designated channels or all channels
- ▶ High stability using 25KHz - 2 step Direct Digital Synthesizer(DDS)
- ▶ Self-diagnosis function for easy maintenance

**SPECIFICATIONS**

**GENERAL**

- Frequency range : 146 ~ 174MHz
- Operating method : SIMPLEX, DUPLEX, DSC
- Channel: 999channels( ITU, USA, WEA, PIR)
- Type of emission : F3E, F2B(G3E, G2B)
- Frequency accuracy : within  $\pm 10 \times 10^{-6}$
- Antenna impedance : 50ohm
- Power supply : DC 13.6V 25W
- Current consumption : MAX 6A at transmission  
MAX 0.6A at reception

**TRANSMITTER**

- Transmitting output : HIGH/25W, LOW/1W
- Oscillation : SYNTHESIZER
- Modulation : Frequency modulation
- Bandwidth : 16KHz or less
- Frequency tolerance :  $\pm 5$ KHz or less
- DSC modulation : FSK
- DSC modulation speed : 1200baud within  $\pm 30 \times 10^{-6}$

**RECEIVER**

- Method of reception : DOUBLE SUPER HETERODYNE
- Receiving sensitivity : 0.25 $\mu$ V or less (20dB NO) S/N : 40dB  
or more
- Sensitivity suppression : 90dBu or more(20dB NO)
- DSC sensitivity suppression : character error rate 0.5% or less at wanted signal 3dBu and unwanted signal 73dBu(20dB NO)
- Audio output : 1 watt 8 ohm

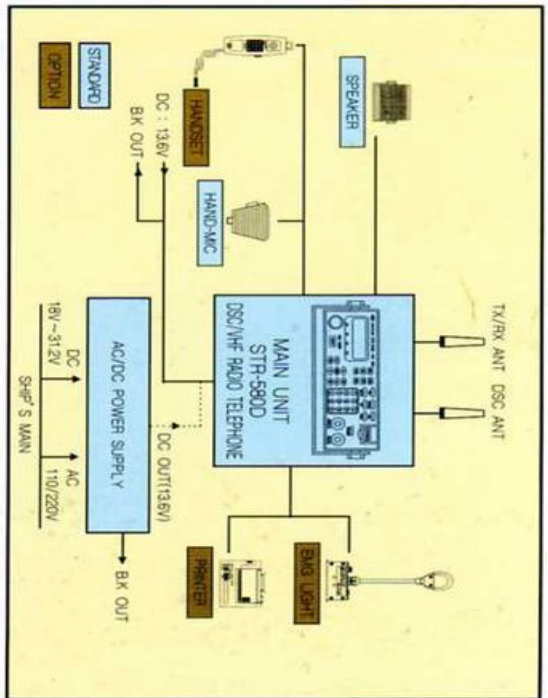
**DSC WATCH KEEPING RECEIVER**

- Receiving frequency : 156.525MHz(CH70)
- Type of emission : F2B(G2B)
- Receiving sensitivity: Character error rate 0.5% or less at an antenna input of 1 $\mu$ V
- Method of reception : DOUBLE SUPER HETERODYNE
- Sensitivity suppression : character error rate 0.5% or less at wanted signal 3dBu and interference signal 73dBu
- Frequency accuracy : within  $\pm 10 \times 10^{-6}$
- Antenna : WHIP

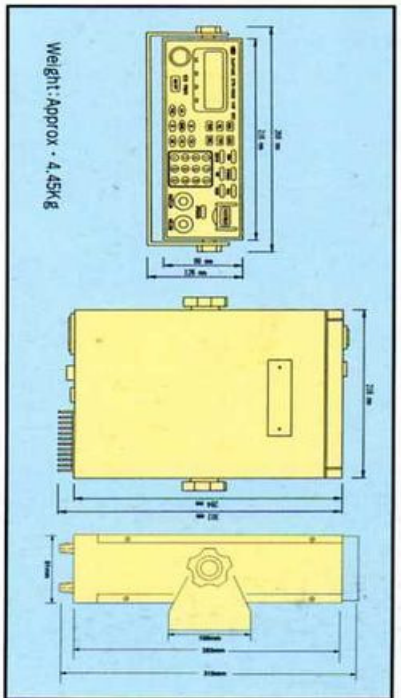
**COMPONENTS**

- |   |   |
|---|---|
| <p><b>STANDARD</b></p> <ul style="list-style-type: none"> <li>• TRANSCIEVER UNIT(STR-580D)</li> <li>• WHIP ANTENNA(SAN-250)</li> <li>• HAND MIC</li> <li>• SPEAKER(SSP-5P 10W)</li> <li>• POWER SUPPLY</li> <li>• MATERIAL</li> <li>• INSTRUCTION MANUAL</li> </ul> | <p><b>OPTION</b></p> <ul style="list-style-type: none"> <li>• PRINTER (DPU-414)</li> <li>• EMG LIGHT</li> <li>• HAND-SET (H-36R)</li> </ul> |
|---|---|

**CONFIGURATION**



**DIMENSIONS**



**SY SAMYUNG ELECTRONIC CO., LTD.**

65-20, 2-Ha, Namhang-Dong Youngdo-Ku, Pusan, 606-032, KOREA  
 TEL : + 82-51-416-5555(Rep.), + 82-51-601-5555(A/S)  
 FAX : (051) 413-4446  
 http://www.sam-yung.co.kr  
 E-mail: samyung@sam-yung.co.kr  
 marketing@sam-yung.co.kr



ISO 9002 / KS A 9002  
 Certificate No. : QSC92073





# MARINE DSC / VHF RADIO TELEPHONE STR-580D

**NEW**

