

45
ICOM

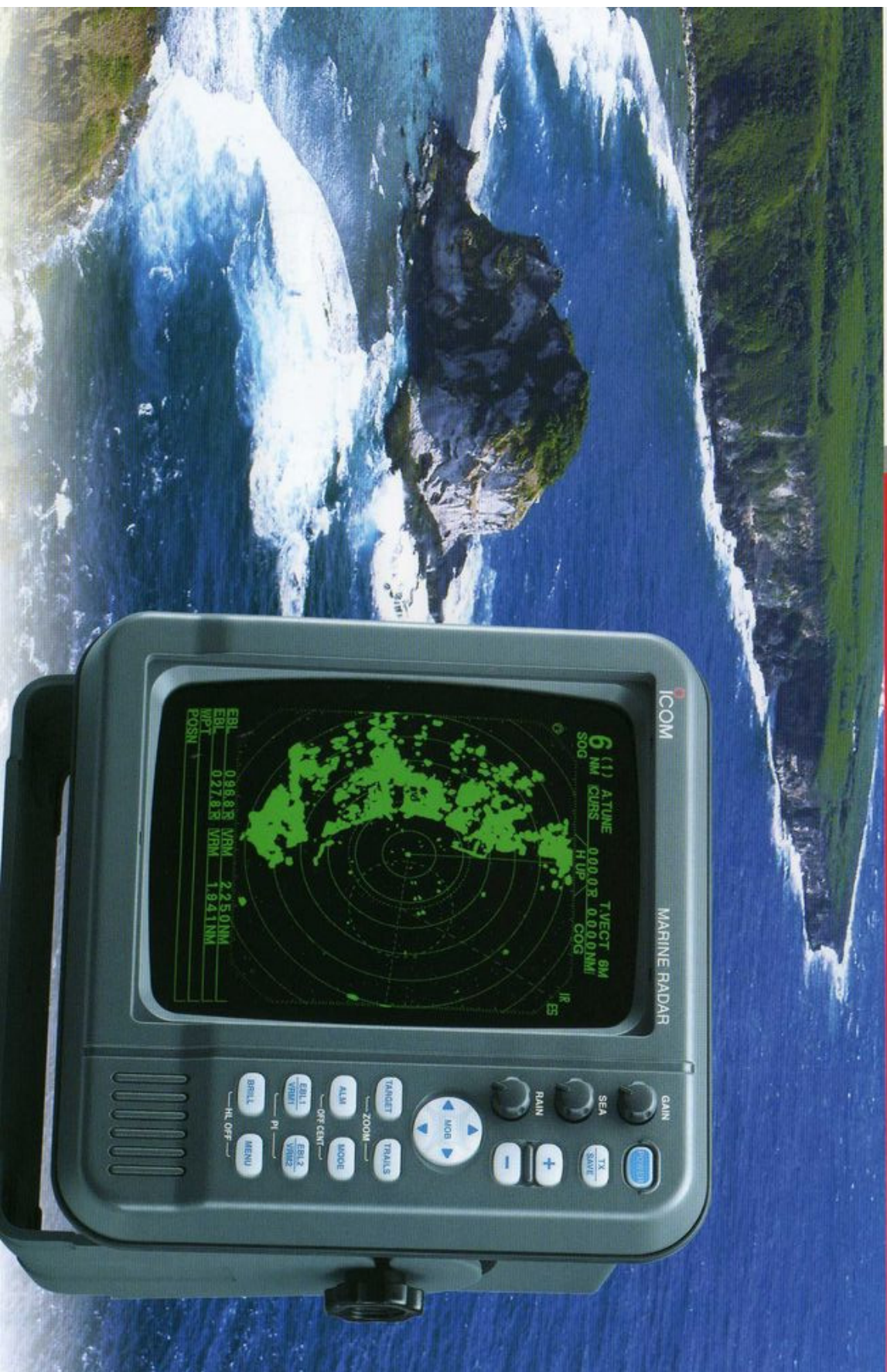
MARINE RADARS

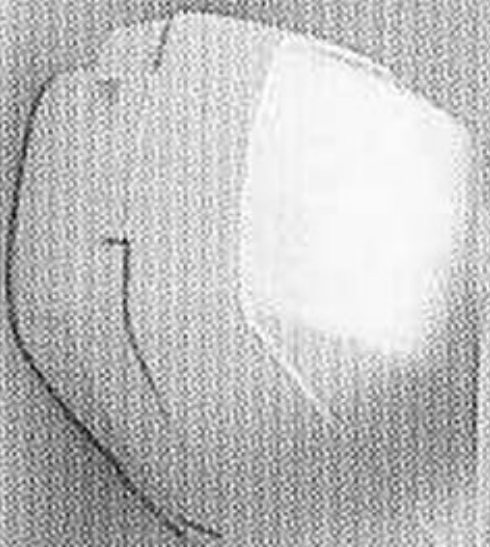
MR-1000R II

(10-inch CRT, Radome Scanner)

MR-1000T II

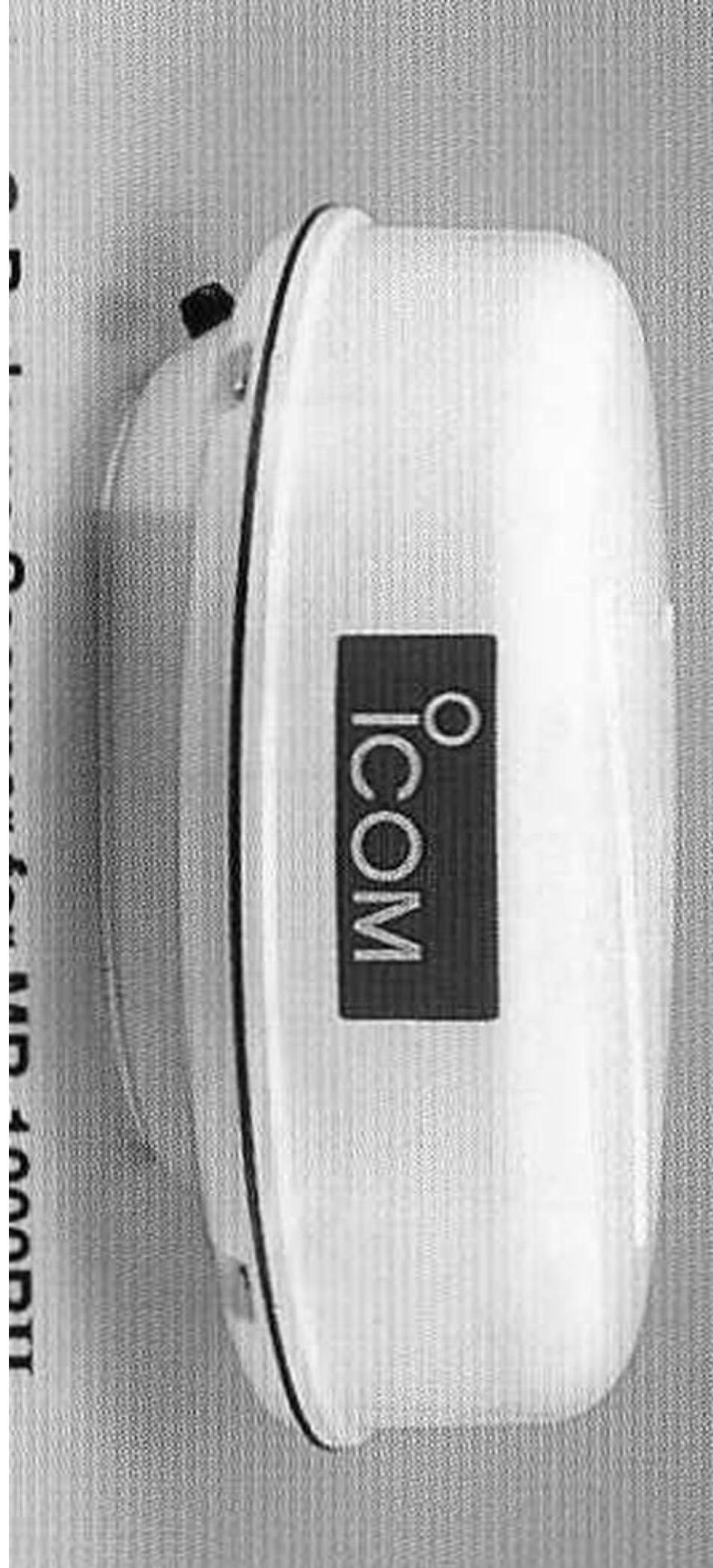
(10-inch CRT, Open Array Scanner)





The ICOM logo consists of a stylized 'O' symbol above the word 'ICOM' in a bold, sans-serif font. The logo is printed on a dark rectangular background.

● **Open Array Scanner for MR-1000TII**



ICOM

OTHER FEATURES

- The MR-1000RII/TII provides many useful features : 2 EBL's, 2 VRM's, SEA clutter, RAIN clutter, Off center, Interference reduction, Echo stretch, Zoom, Trail, long pulse and automatic calibration function.
- When connected to the GPS and/or compass, the MR-1000RII/TII displays the following information: Course-up, North-up, True motion indication, own and other vessel's speed, position and course, waypoint and man overboard point.

- Simplified Automatic Tracking Aid allows you to plot up to 10 targets and the radar automatically traces the targets.
- The CPA (Closest Point Approach) and TCPA (Time to CPA) alarm gives an audible warning when the tracking targets come within the set range or time.
- Power saver function pauses the scanning for a preset time and conserves battery consumption. When used with the zone alarm function, the CRT display is turned off until an object enters the programmed alarm zone.

SPECIFICATIONS

DISPLAY UNIT

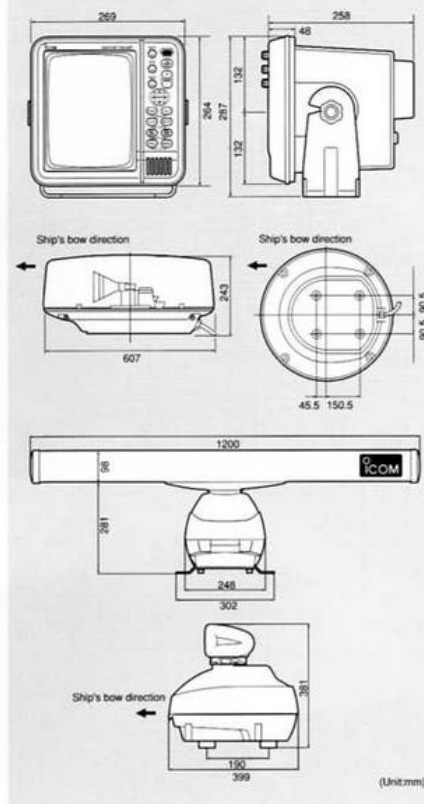
- | | | | |
|-----------------------|---|-------------------------|--|
| • Display type | : 10" monochrome CRT | • Power consumption : | |
| • Resolution | : 640x480 dots | MR-1000RII | 60W (approx.) |
| • Minimum range | : 25m (1/8 NM range) | MR-1000TII | 70W (approx.) |
| • Maximum range : | | • Operating temp. range | |
| MR-1000RII | 36NM | | : -15°C to +5°C |
| MR-1000TII | 48NM | • Unit of distance | : NM (nautical mile), km |
| • Measurement range : | 1/8, 1/4, 1/2, 3/4, 1, 1.5, 2, 3, 4, (unit:NM) | • Dimensions | : 269(W)x264(H)x258(D) mm (projections not included) |
| | 6, 8, 12, 16, 24, 32, 36, 48* (* MR-1000TII only) | • Weight (approx.) | : 6.5kg |
| • Preheat time | : 90sec. | • Input data format | : NMEA 0183, N+1, AUX |
| • Power supply | : 10.2-42V DC | • Output data format | : NMEA 0183 |

SCANNER UNIT

- | | | |
|---|--|--|
| • Model Name | : MR-1000RII | MR-1000TII |
| • Type | : 60cm slotted waveguide array in radome | 120cm slotted waveguide array |
| • Rotation speed | : 24, 36, 48rpm typ. | 24, 36, 48rpm typ. |
| • Beamwidth | Horizontal beam : 4° typ.
Vertical beam : 22° typ. | 2° typ.
25° typ. |
| • Sidelobe | : -18dB typ. | -24dB typ. |
| • Polarization | : Horizontal | Horizontal |
| • Dimensions (projections not included) | : 607(O)x243(H) mm | 1205(d)x381(H) mm (Diameter of rotation/height) |
| • Weight (approx.) | : 8kg | 17kg |
| • Operating temperature range | : -25°C to +70°C | -25°C to +70°C |
| • Frequency | : 9410MHz ±30MHz | 9410MHz ±30MHz |
| • Peak output power | : 4kW | 4kW |
| • Pulse-width/Reception rate | : 80nsec./2880Hz, 80nsec./2160Hz, 250nsec./2160Hz, 350nsec./2160Hz, 900nsec./720Hz | 80nsec./2880Hz, 80nsec./2160Hz, 250nsec./2160Hz, 350nsec./2160Hz, 900nsec./720Hz |
| • Modulator | : FET switching | FET switching |
| • Mixer and local oscillator | : Microwave integrated circuit | Microwave integrated circuit |
| • Intermediate frequency | : 60MHz | 60MHz |
| • IF passband width | : 10MHz, 3MHz | 10MHz, 3MHz |
| • Tuning | : Auto or manual | Auto or manual |
| • System cable | : 15m (49.2ft); OPC-1188 | 20m (65.6ft); OPC-1189 (Peeled for connection with MR-1000TII.) |

All stated specifications are subject to change without notice or obligation.

DIMENSIONS



OPTIONS



OPC-1077

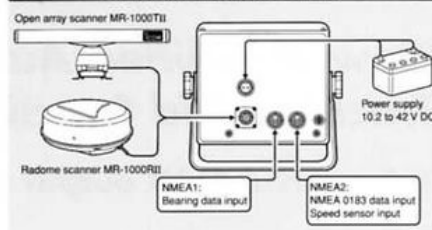
OPC-1077 SYSTEM CABLE

Allows you 20m (65.6ft) separate installation between the display unit and the scanner unit.

OPC-1078 SYSTEM CABLE

Allows you 30m (98.4ft) separate installation between the display unit and the scanner unit.

SYSTEM CONNECTION



Icom Inc. 1-1-32, Kamiminami, Hirano-ku, Osaka 547-0003, Japan Phone: +81 (06) 6793 5302 Fax: +81 (06) 6793 0013

URL: <http://www.icom.co.jp/world/index.html>

Count on us!

Icom America Inc.

2380 116th Avenue N.E., Bellevue, WA 98004, U.S.A.
Phone: +1 (425) 454-8155
Fax: +1 (425) 454-1509
E-mail: sales@icomamerica.com
URL: <http://www.icomamerica.com>
<Customer Service> Phone: +1 (425) 454-7619

Icom Canada

Glenwood Centre #150-6165 Highway 17, Delta, B.C., V4K 5B8, Canada
Phone: +1 (604) 952-4266
Fax: +1 (604) 952-0090
E-mail: info@icomcanada.com
URL: <http://www.icomcanada.com>

Icom (Australia) Pty. Ltd.

A.B.N. 88 006 092 575
290-294 Albert Street, Brunswick, Victoria, 3056, Australia
Phone: +61 (03) 9387 0666
Fax: +61 (03) 9387 0022
E-mail: sales@icom.net.au
URL: <http://www.icom.net.au>

Icom New Zealand

146A Harris Road, East Tamaki, Auckland, New Zealand
Phone: +64 (09) 274 4062
Fax: +64 (09) 274 4708
E-mail: inquiries@icom.co.nz
URL: <http://www.icom.co.nz>

Icom (Europe) GmbH

Communication Equipment
Himmelglöster Str. 100,
D-40225 Düsseldorf, Germany
Phone: +49 (0211) 346047
Fax: +49 (0211) 333639
E-mail: info@icomeurope.com
URL: <http://www.icomeurope.com>

Icom Spain S.L.

Ctra. de Gracia a Manresa Km. 14,750
08190 Sant Cugat del Valles Barcelona, Spain
Phone: +34 (93) 590 26 70
Fax: +34 (93) 589 04 46
E-mail: icom@icomspain.com
URL: <http://www.icomspain.com>

Icom (UK) Ltd.

Unit 9, Sea St., Herne Bay, Kent, CT6 8LD, U.K.
Phone: +44 (0)1227 741741
Fax: +44 (0)1227 741742
E-mail: info@icomuk.co.uk
URL: <http://www.icomuk.co.uk>

Icom France S.a

Zac de la Plaine, 1,
Rue Brindejonc des Moulins BP 5804,
31505 Toulouse Cedex, France
Phone: +33 (5) 61 36 03 03
Fax: +33 (5) 61 36 03 00
E-mail: icom@icom-france.com
URL: <http://www.icom-france.com>

Icom Polska

Sopot, 3 maja 54, Poland
Phone: +48 (58) 550 7135
Fax: +48 (58) 551 0484
E-mail: icompolksa@icompolksa.com.pl
URL: <http://www.icompolksa.com.pl>

Asia Icom Inc.

6F No. 68, Sec. 1 Cheng-Teh Road, Taipei, Taiwan, R.O.C.
Phone: +886 (02) 2559 1899
Fax: +886 (02) 2559 1874
E-mail: sales@asia-icom.com
URL: <http://www.asia-icom.com>

Beijing Icom Ltd.

1305, Wanshang Plaza, Shijingshan Road,
Beijing, China
Phone: +86 (010) 6866 6337
Fax: +86 (010) 6866 3553
E-mail: bjicom@bjicom.com
URL: <http://www.bjicom.com>



Icom Inc. (Japan), is an ISO 14001 certification acquired company.

Your local distributor/dealer: